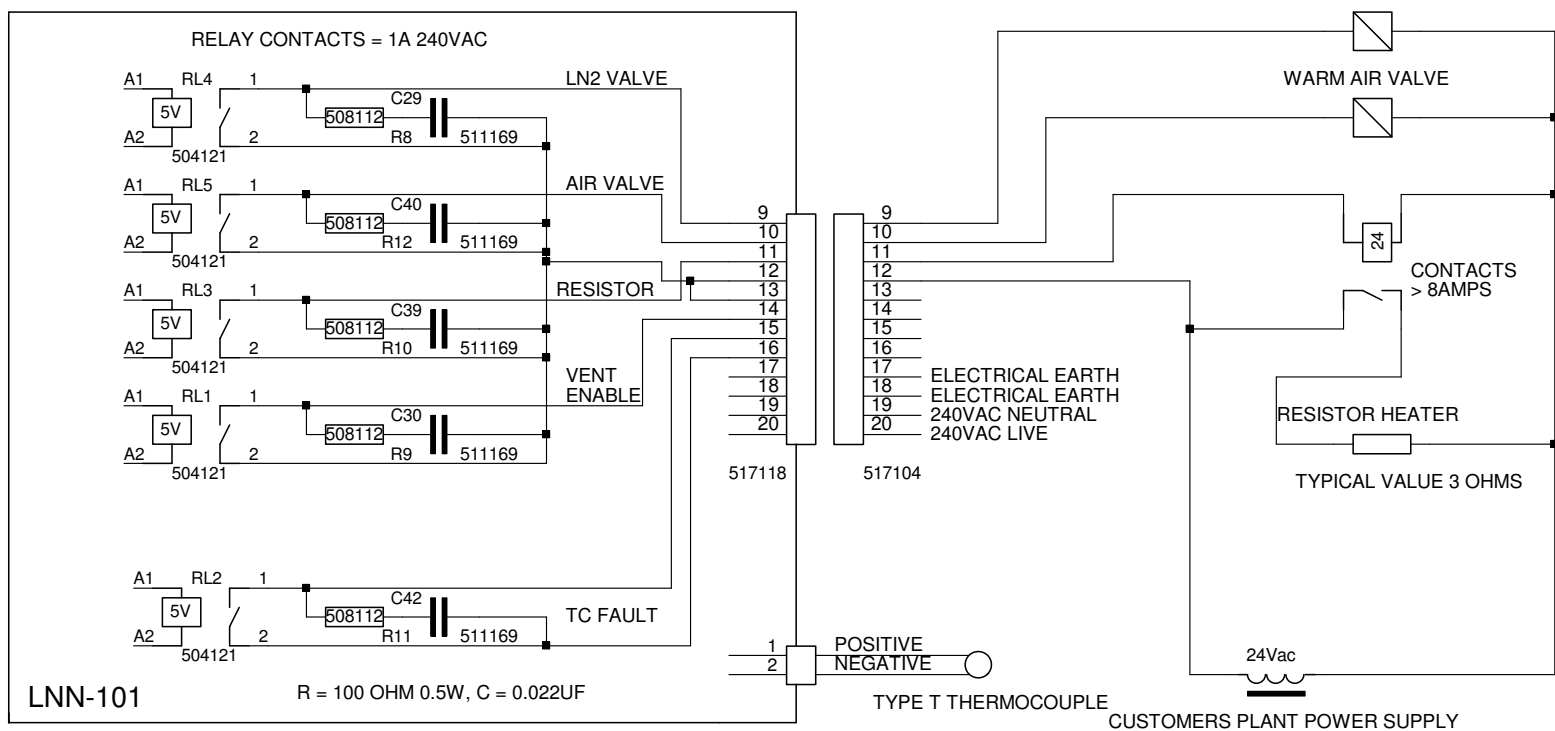
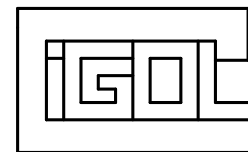


REFER TO REFERENCE 602909 (LNN-101 INPUT / OUTPUT ASSIGNMENTS)
AND 602912 (LNN-101 OUTPUT FUNCTION SUMMARY)



REV: -	DATE: 25TH MAR 2004	ENG: RAS
PROJECT: LNN-101 - PRJ 602		
COMPANY: CIGOL CONTROLS LIMITED		
ADDRESS: WWW.CIGOL.COM		
CITY: -		
COUNTRY: -		
INITIAL	25TH MAR 2004	PAGE: 1 OF: 1

C60200 - LNN-101 INSTALLATION - SHEET 1 OF 1